

Superior Tanks Ltd

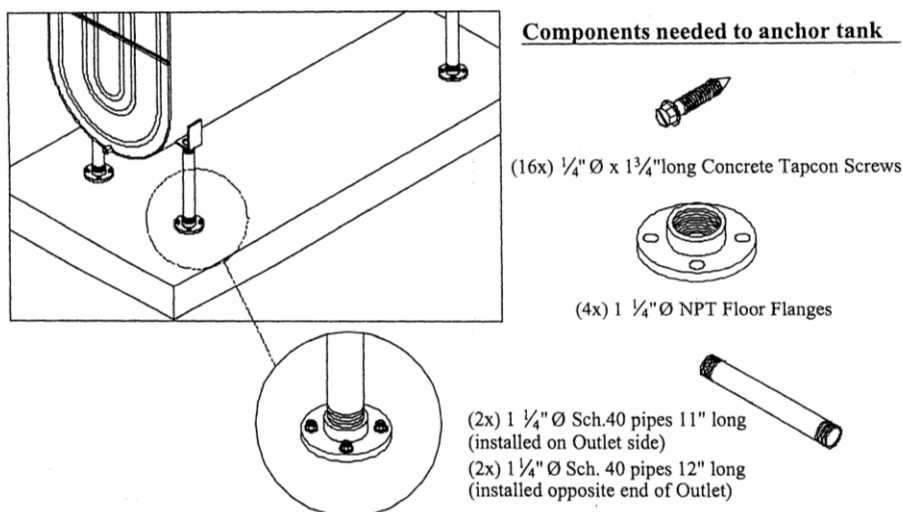
Installation Instructions and Maintenance Recommendations

It is the tank owner's responsibility to ensure the integrity of their tank and installation.

- Be sure to have the tank(s) installed by a licensed installer. Domestic heating oil tanks are to be installed in accordance with NFPA-31, installation code for oil burning equipment.
- Installer shall ensure that applicable Federal, Provincial, and Local codes are met prior to installation.
- Never transfer oil from an old tank to a new tank without a proper filtering system as the new tank could become contaminated with water and sludge and promote internal corrosion.
- Protect the tank from falling objects (snow, ice, or tree branches) and keep away from vehicle traffic.
- The tank should not be in contact with a wall barrier as this may contribute to premature deterioration due to debris and/or moisture.
- Do not reduce vent capacity below 1-1/4" pipe size
- Install your tank a minimum 15 meters away from all well or watercourse.
- Superior Tanks models 140 USG and 330 USG require concrete anchoring (as shown below) if they are intended for outside installation or an inside installation where the tank will not be connected to secured fill and vent pipes passing through a concrete wall or foundation. All other tank models are required to be installed on a solid, level, non-combustible base.

All tanks are intended for stationary use only

Special consideration should be given to areas prone to flooding or high winds where concrete anchoring may be considered necessary by local authorities having jurisdiction. A regular inspection and maintenance routine should be followed.



(for maintenance recommendations see reverse)

Superior Tanks Ltd

Installation Instructions and Maintenance Recommendations

- Inspect the tank regularly for any signs such as blistering, wet surface, or odor, which is an indication of the presence of internal corrosion that would compromise the integrity of the tank.
- Internal corrosion may be controlled by the establishment of maintenance procedures that include but not limited to:
 - Inspecting for removal of the water that has accumulated in the bottom of the tank
 - Adding bactericides to the fuel at the time of delivery
 - Tilt tank 1/4" / ft towards bottom opening.
 -
- Inspect the tank supports and footings for any signs of shifting. If a problem is noted, contact a licensed installer.
- Be sure the tank lines and connections are protected and kept clear of snow and ice.
- Many oil providers now offer maintenance packages for homeowners as part of an overall customer service plan. If tank inspections are covered under the plan, potential problems may be identified early.

Superior Tanks Ltd

Lifting and handling Instructions

- Tank should be properly secured during transport to installation site.
- Always move tanks empty.
- Lift tank by handles provided on ends of tank.
- Avoid dragging or dropping tank.
- Any scratches on exterior coating should be repainted prior to installation.

**Please visit us at WWW.SUPERIORTANKS.CO for more details
Or call; 1-506-466-5811**